

1

2

3

4

5

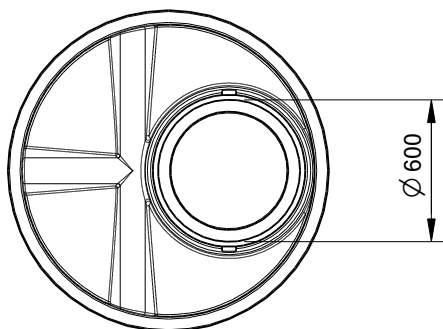
6

RevNo Revision note

Date

Signature

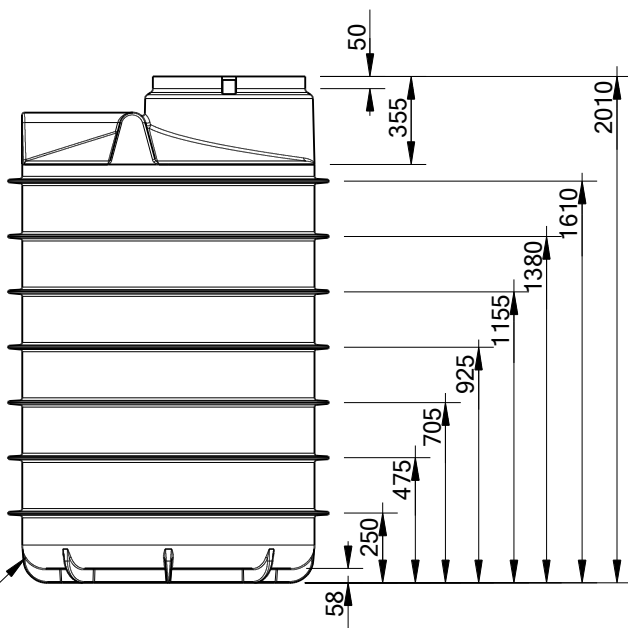
Checked



Ø 600

A

A



50

355

2010

1610

1380

1155

925

705

475

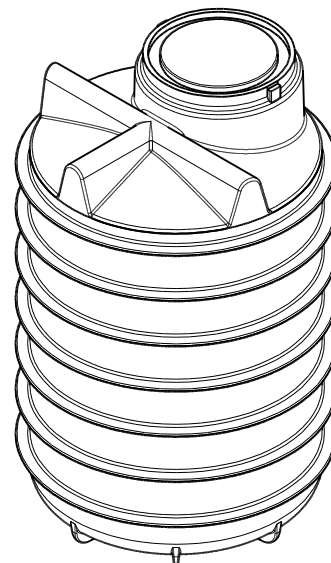
250

58

R 100

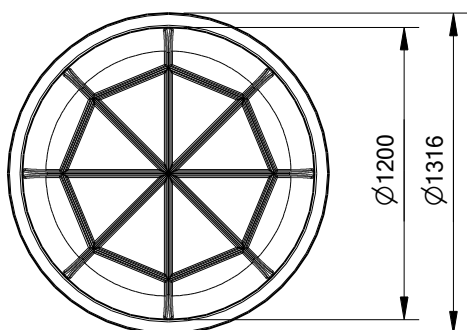
B

B



C

C



Ø1200

Ø1316

D

D

Itemref	Quantity	Title/Name, designation, material, dimension etc	PE, 80 kg	Article No./Reference		
Drawn by Ing. Jan Burian	Checked by	Approved by - date	File name	Date 05.05.2014	Scale	
KJE 1200/200			CZ Plast s.r.o. Kostěnice			

1

2

3

6