

1

2

3

4

5

6

RevNo

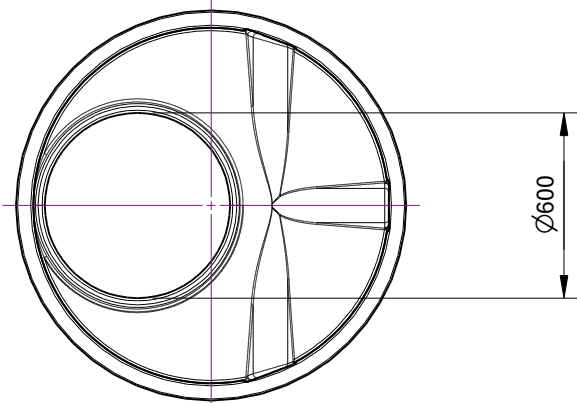
Revision note

Date

Signature

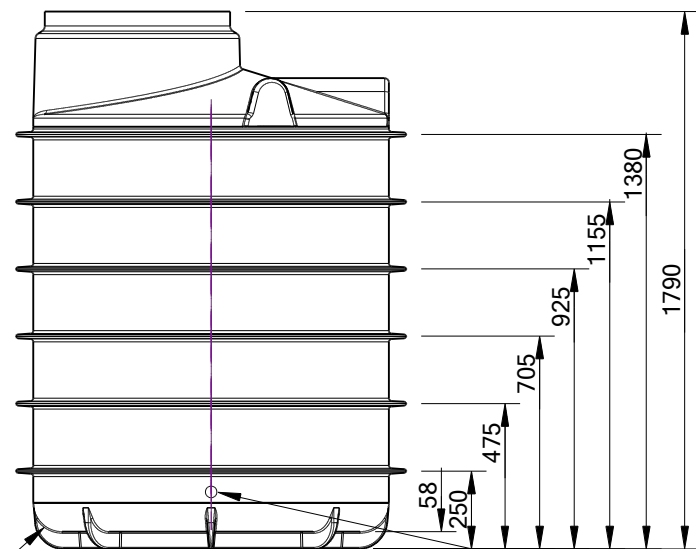
Checked

A



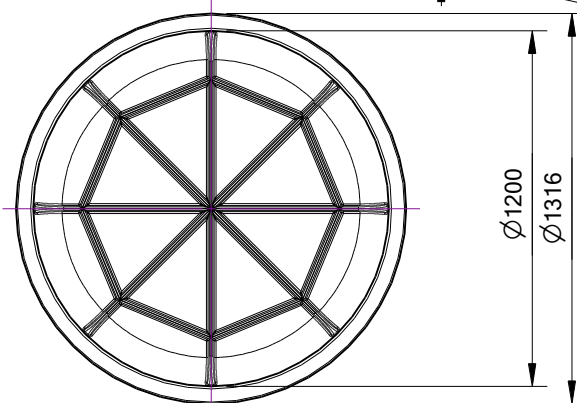
Ø600

B



R 100

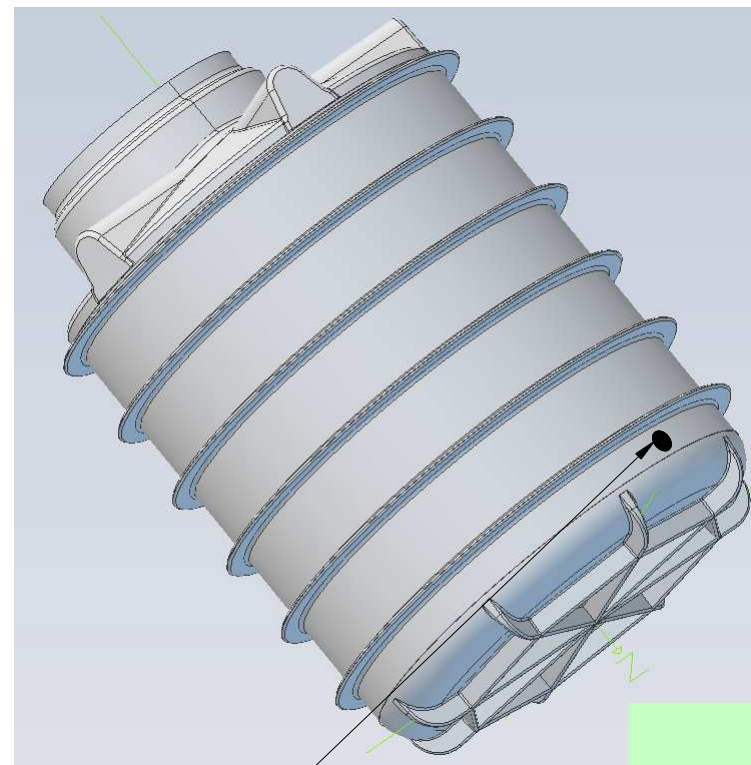
C



Ø1200

Ø1316

D



A

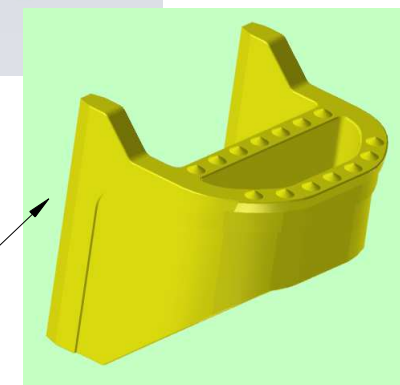
B

C

D

2x záitek 1 1/4" Ms

Do šachty přivařeny 4 ks stupadel



Itemref	Quantity	Title/Name, designation, material, dimension etc	PE, 70 kg	Article No./Reference	
Drawn by Ing. Jan Burian	Checked by	Approved by - date	File name	Date 06.05.2014	Scale
<b>KJE 1200/175</b>			<b>CZ Plast s.r.o. Kostěnice</b>		
			<b>710403</b>	Edition	Sheet

1

2

3

6