

1

2

3

4

5

6

RevNo

Revision note

Date

Signature

Checked

A

B

C

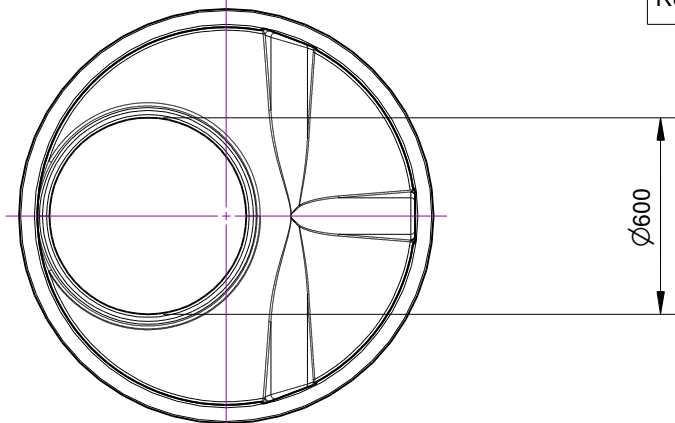
D

A

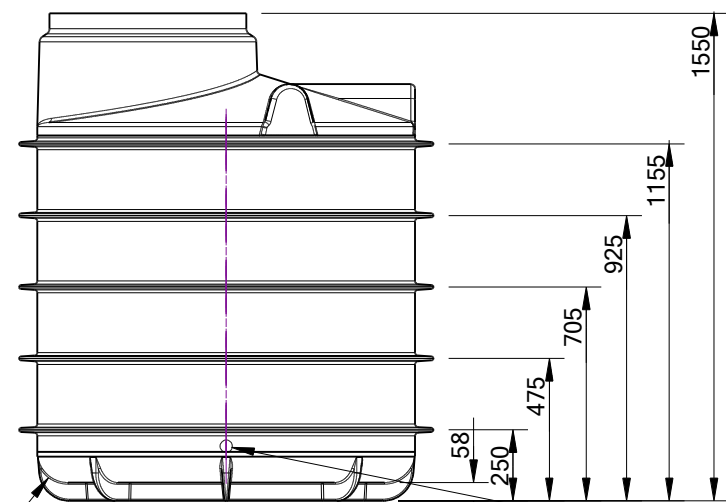
B

C

D



Ø600



1550

1155

925

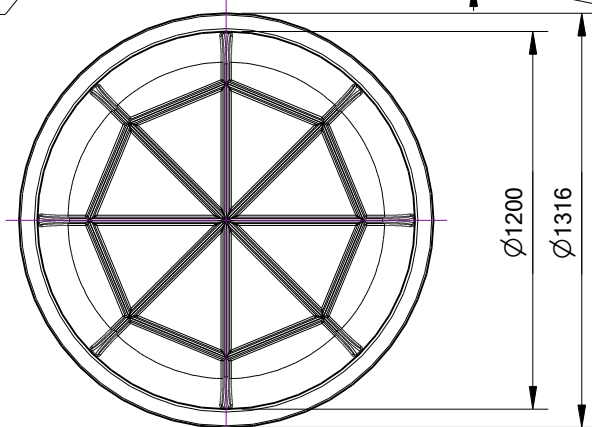
705

475

250

58

R 100

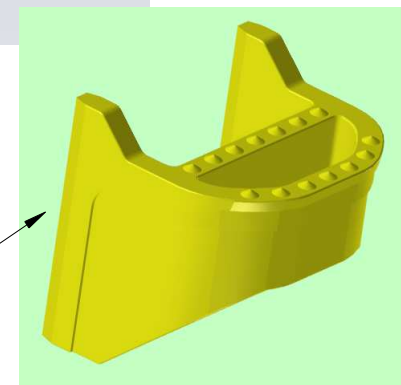
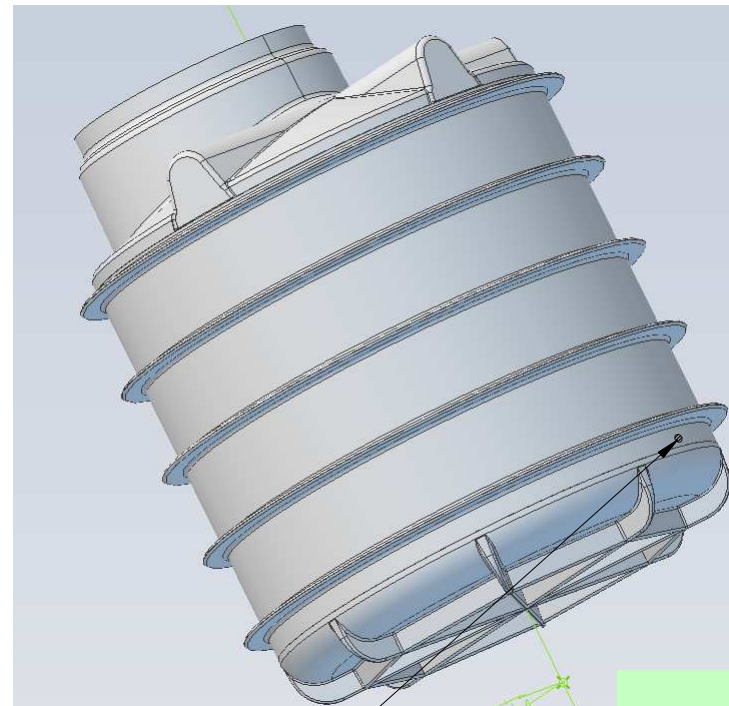


Ø1200

Ø1316

2x záložek 1 1/4" Ms

Do šachty přivařeny 3 ks stupadel



Itemref	Quantity	Title/Name, designation, material, dimension etc	Article No./Reference
		PE, 60 kg	
Drawn by	Checked by	Approved by - date	File name
Ing. Jan Burian			Date
			06.05.2014
			Scale
		<b>CZ Plast s.r.o. Kostěnice</b>	
		<b>710401</b>	Edition
			Sheet

**KJE 1200/150****CZ Plast s.r.o. Kostěnice****710401**

Edition

Sheet

1

2

3

6