

1

2

3

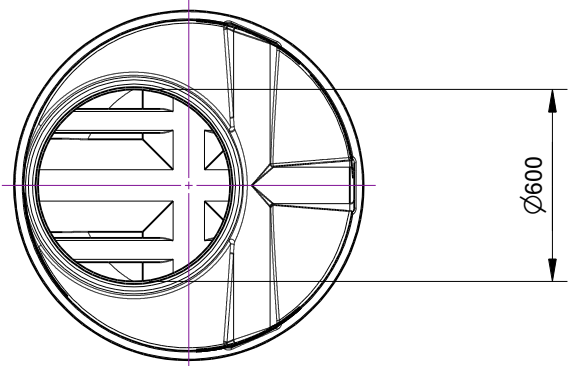
4

5

6

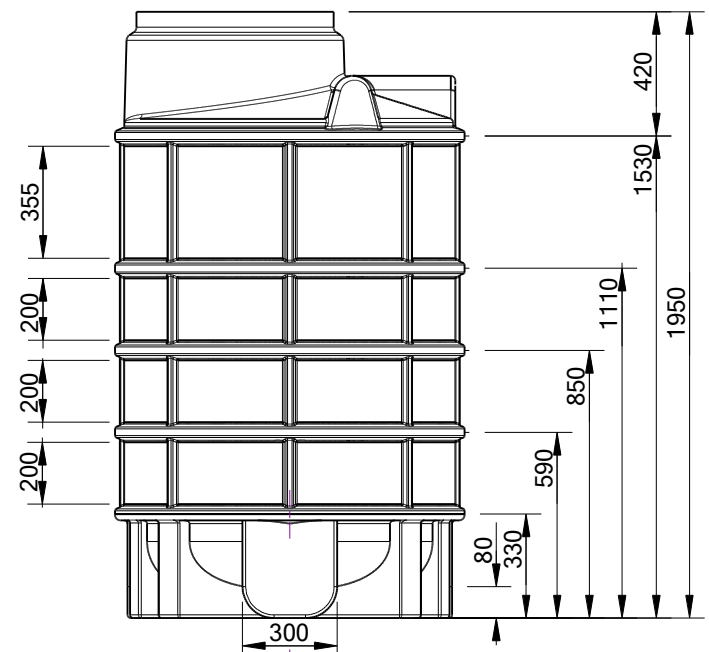
RevNo	Revision note	Date	Signature	Checked
-------	---------------	------	-----------	---------

A



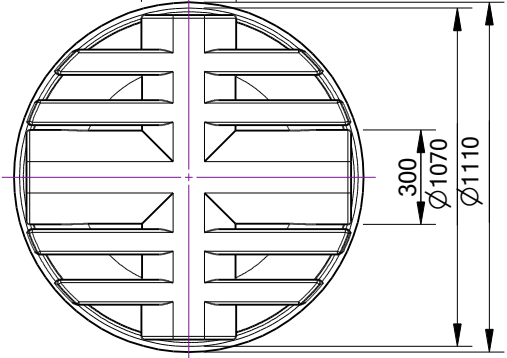
Ø600

B



C

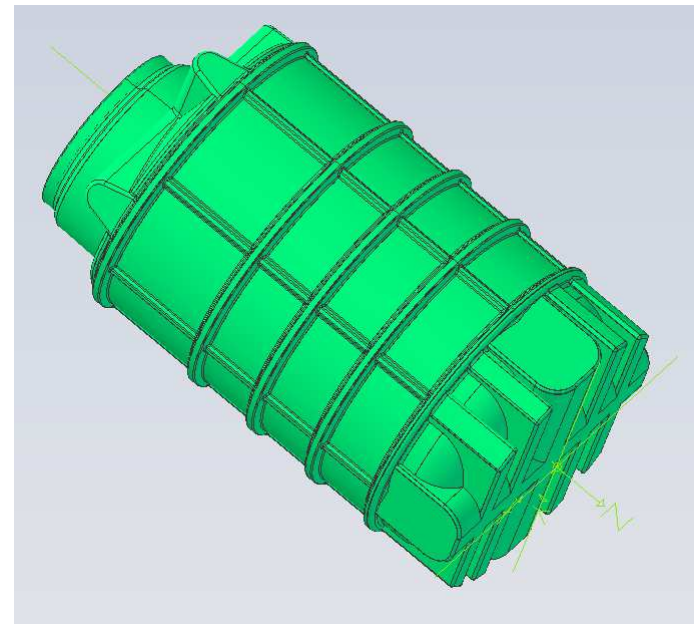
D



300

Ø1070

Ø1110



A

B

C

D

Itemref	Quantity	Title/Name, designation, material, dimension etc	PE, 80 kg	Article No./Reference	
Drawn by Ing. Jan Burian		Checked by	Approved by - date	File name	Date 01.05.2014
KJE 1000/200a			CZ Plast s.r.o. Kostěnice		
			710200		Edition

1

2

3

6